



开启科技之门

EB2M(ABB)产品TYPE.A系列 Compact range



浙江浙平电器股份有限公司
ZHEJIANG ZHEPING ELECTRICS CO.,LTD.

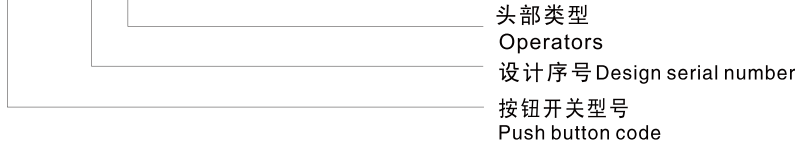
按钮开关Φ22

EB2M系列按钮开关



型号及含义 TYPE AND MEANING

EB2M - A □ 1 2 3 / 4 5 6



- 1** 表示常开触头 NO contact
- 2** 表示常闭触头 NC contact
- 4** 表示颜色及旋钮钥匙钮动作功能和拔出位置
Color, selector button and keylock button operation function and pulling out position

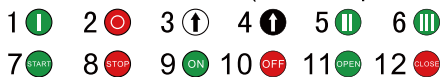
红	绿	黄	蓝	白	黑
R	G	Y	B	W	K

动作功能 spring return action		
f	fu	ffu
左自复 left to centre	右自复 right to centre	左右自复 Left-right to centre

5 电压(Voltage)

21-DC.AC 6V	26-DC.AC 110V
22-DC.AC 12V	27-DC.AC 127V
23-DC.AC 24V	28-DC 220V
24-DC.AC 36V	31-AC 220V
25-DC.AC 48V	32-AC 380V

6 标志钮符号代码 (Code of push button symbol)



使用环境条件 WORKING ENVIRONMENT

周围空气温度 -25℃ ~ +40℃; Ambient air temperature -25℃ ~ +40℃.
 海拔高度 ≤ 2000m; Altitude: ≤ 2000m.
 空气相对湿度 ≤ 90%; Relative air humidity: ≤ 90%.
 污染等级 3 级; Pollution degree: class 3.
 防护等级 IP40/IP65; Protection degree: IP40/IP65.

主要技术参数 MAIN TECHNICAL PARAMETER

开关额定值 Rated value of switch: AC-15 36V/10A 110V/10A 220V/5A 380V/2.7A 660V/1.8A
 DC-13 24V/4A 48V/4A 110V/2A 220V/1A 440V/0.6A.

约定发热电流 Conventional thermal current: I_{th} 10A.

触点电阻 Contact resistance: ≤ 50mΩ

绝缘电阻 Insulation resistance: ≥ 10MΩ

机械寿命 Mechanical durability: 一般按钮 Common push-button ≥ 100 × 10⁴次 times; 旋钮 Selector button ≥ 30 × 10⁴次 times.

钥匙按钮 Key push-button ≥ 5 × 10⁴次 times; 紧急按钮 Emergency push-button ≥ 5 × 10⁴次 times.

3 表示机械形式 Mechanical form

字母 letter	含义 Implication
	平钮 Flush push button
D	带灯钮 Illuminated push button
T	自锁钮 Maintained push button
TD	带灯自锁钮 Illuminated Maintained push button
M	蘑菇钮 Mushroom push button
MD	带灯蘑菇钮 Illuminated Mushroom button
MT	自锁蘑菇钮 Maintained Mushroom button
MTD	带灯自锁蘑菇钮 Illuminated Maintained Mushroom button
ZS	急停钮 Emergency stop button
Y	二位钥匙钮 2-Position keylock selector
YS	三位钥匙钮 3-Position keylock selector
X	短柄二档旋钮 2-Position short lever selector
XD	带灯短柄二档旋钮 Illuminated 2-Position short lever selector
XS	短柄三档旋钮 3-Position short lever selector
XSD	带灯短柄三档旋钮 Illuminated 3-Position short lever selector
CX	长柄二档旋钮 2-Position long lever selector
CXD	带灯长柄二档旋钮 Illuminated 2-Position long lever selector
CXS	长柄三档旋钮 3-Position long lever selector
CXSD	带灯长柄三档旋钮 Illuminated 3-Position long lever selector
RG	双位钮 Dual push button
DRG	带灯双位钮 Illuminated dual push button
H	高位钮 Extended push button
HD	带灯高位钮 Illuminated extended push button
HT	自锁高位钮 Maintained extended push button
HTD	带灯自锁高位钮 Illuminated Maintained extended push button
FH	平钮带符号 Flush button marked

按钮开关Φ22

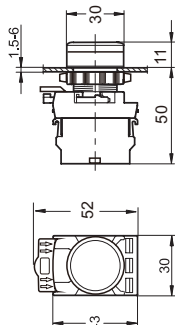
EB2M系列按钮开关



描述 Description 颜色color 尺寸size



自复型 Momentary
EB2M-A-10
自锁型 Maintained
EB2M-A-10T



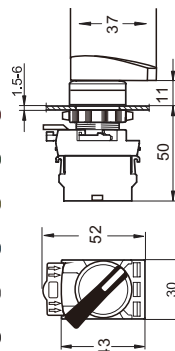
自复型 Momentary
EB2M-A-10/FH ○
自锁型 Maintained
EB2M-A-10T/FH ○
带灯自复型 Momentary Illuminated
EB2M-A-10D/FH ○
带灯自锁型 Maintained Illuminated
EB2M-A-10DT/FH ○



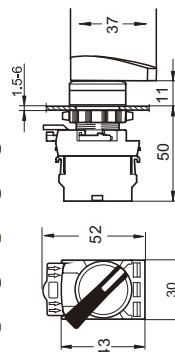
可定制
(Customizable)



两档自锁型 Maintained 2-Position
EB2M-A-10CX
两档自复型 Momentary 2-Position
EB2M-A-10CX/fu
三档自锁型 Maintained 3-Position
EB2M-A-20CXS
三档自复型 Momentary 3-Position
EB2M-A-20CXS/f.fu



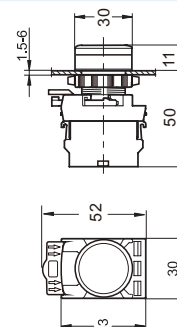
带灯自锁型 Maintained Illuminated
2-Position
EB2M-A-10CXD
带灯自复型 Momentary Illuminated
2-Position
EB2M-A-10CXD/fu
带灯自锁型 Maintained Illuminated
EB2M-A-20CXSD
带灯自复型 Momentary Illuminated
EB2M-A-20CXSD/f.fu



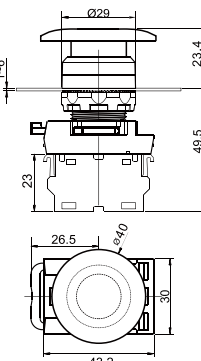
描述 Description 颜色color 尺寸size



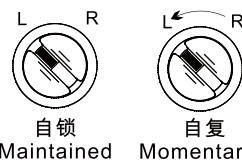
带灯自复型 Momentary Illuminated
EB2M-A-10D
带灯自锁型 Maintained Illuminated
EB2M-A-10DT



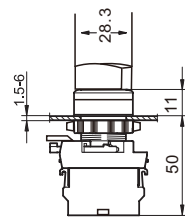
自复型 Momentary
EB2M-A-10M
自锁型 Maintained
EB2M-A-10MT
带灯自复型 Momentary Illuminated
EB2M-A-10MD
带灯自锁型 Maintained Illuminated
EB2M-A-10MTD



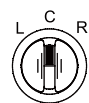
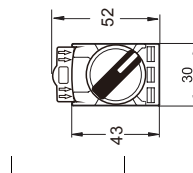
两档自锁型 Maintained 2-Position
EB2M-A-10X
两档自复型 Momentary 2-Position
EB2M-A-10X/fu
三档自锁型 Maintained 3-Position
EB2M-A-20XS
三档自复型 Momentary 3-Position
EB2M-A-20XS/f.fu



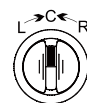
自锁 Maintained 自复 Momentary



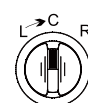
带灯自锁型 Maintained Illuminated
2-Position
EB2M-A-10XD
带灯自复型 Momentary Illuminated
2-Position
EB2M-A-10XD/fu
带灯自锁型 Maintained Illuminated
EB2M-A-20XSD
带灯自复型 Momentary Illuminated
EB2M-A-20XSD/f.fu



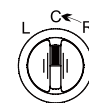
Maintained
自锁



Momentary
From R to C
From L to C
由右至中和
由左至中自复



Momentary
From L to C
由左至中自复




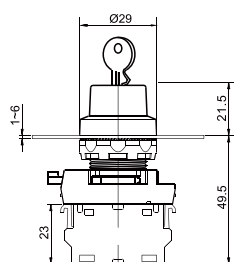
Momentary
From R to C
由右至中自复

按钮开关Φ22


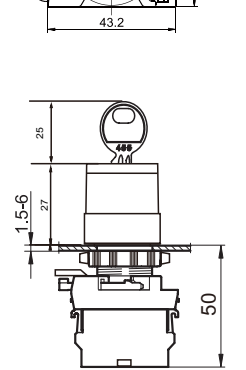
EB2M系列按钮开关




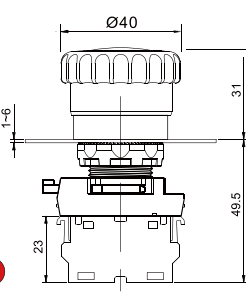
描述 Description 颜色 color 尺寸 size


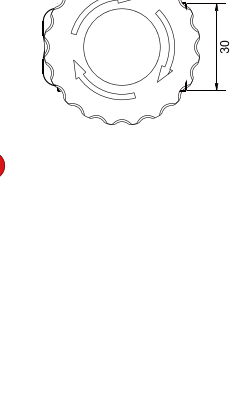
两档自锁型 Maintained 2-Position
EB2M-A-10Y
三档自锁型 Maintained 3-Position
EB2M-A-20YS

两档自锁型 Maintained 2-Position
EB2M-A-10CY
两档自复型 Momentary 2-Position
EB2M-A-10CY/fu
三档自锁型 Maintained 3-Position
EB2M-A-20CYS
三档自复型 Momentary 3-Position
EB2M-A-20CYS/f.fu


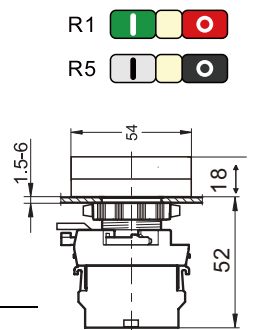



旋转释放 Twist Release
不带灯型 Non-illuminated
EB2M-A-01ZS
旋转释放 Twist Release
带灯型 illuminated
EB2M-A-01DZS


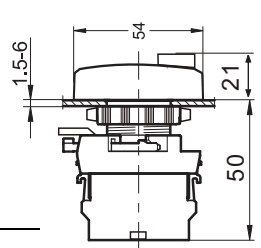



旋转释放 Twist Release
不带灯型 Non-illuminated
EB2M-A-01ZS/A
旋转释放 Twist Release
带灯型 illuminated
EB2M-A-01DZS/A


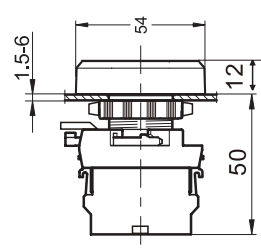
描述 Description 颜色 color 尺寸 size


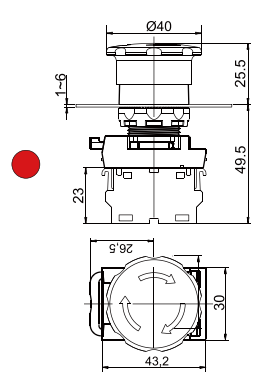
不带灯自复型 Momentary
Non-illuminated
EB2M-A-11PRG
带灯自复型 Momentary
Illuminated
EB2M-A-11PDRG

不带灯自复型 Momentary
Non-illuminated
EB2M-A-11HRG
带灯自复型 Momentary
Illuminated
EB2M-A-11HDRG

不带灯自复型 Momentary
Non-illuminated
EB2M-A-11RG
带灯自复型 Momentary
Illuminated
EB2M-A-11DRG

旋转释放 Twist Release
不带灯型 Non-illuminated
EB2M-A-01ZS/B